

## APPLICATION

These heavy duty plugs and receptacles are extremely rugged and designed to withstand service conditions far too severe for most commercial types. Typical applications are in rolling mills, railroad shops, mines, machine shops, docks, wharves, pumping stations or wherever the usual types are unsuited.

Although these units are higher in original cost their longer service life and ease of repair and maintenance soon justifies the difference.

## FEATURES

Simplicity of construction and interchangeability of parts permits low cost maintenance. The various elements of the plug or receptacle are held in position by screwing together the metal housing sections.

New contacts can easily be installed without resoldering the cables.

Once the plug and receptacle are connected they cannot come apart accidentally. A catch on the spring controlled cover of the receptacle holds the plug in place until released. When the plug is removed the cover firmly covers the receptacle opening.

## REPLACEABLE CONTACTS

An important feature, which extends the life of all DELTA STAR plugs and receptacles is the interchangeable contacts, which do not require resoldering of the cable connections.

If during service life the contacts become pitted or burned, the contact section can be removed by unscrewing the damaged part and installing the new one without removing the soldered joint between cable and contact terminal.

## GENERAL INFORMATION and SPECIFICATIONS

### RATINGS

Standard ratings are 100 amperes for two, three and four-pole, 60 amperes for five, six and seven-pole equipment. Standard contacts have renewable contact plugs and tips. Cable sleeves of 100 A. contacts are drilled  $\frac{21}{64}$ -inch for No. 2 stranded cable, 60 A. sleeves are drilled  $\frac{17}{64}$ -inch for No. 4 strand cable.

### INTERCHANGEABILITY

Parts are interchangeable and easily accessible. Receptacle contacts can be applied to portable plug and vice versa. Housing casting with hinged cover can be applied to plug.

### POLARIZATION

Three-pole plugs and receptacles are furnished polarized only when specified on order. Two-pole equipment is furnished with three-pole parts, but one contact is omitted-polarization is inherent. Four, five, six and seven-pole equipment is furnished polarized as standard.

### CONDUIT TAP

Types "JI", "JK", and "JL" receptacles are tapped for 2" conduit as standard. Reducing bushing for smaller size conduit is supplied when conduit size is specified.

### MAXIMUM SIZE CABLES

Type "JW" plugs are available for cable having maximum outside diameters of 1",  $1\frac{1}{2}$ " and 2" as standard.

Type "JC" plugs are furnished for flexible conduit having a maximum diameter of either 1" or  $1\frac{1}{4}$ " as standard. Proper size flexible conduit connector will be supplied when specified. Sizes available are  $\frac{3}{4}$ ", 1",  $1\frac{1}{4}$ ",  $1\frac{1}{2}$ " and 2" S.P.S. Sizes  $1\frac{1}{4}$ " and below are standard, above  $1\frac{1}{4}$ " are special. Special handles can be supplied for flexible conduit having a maximum diameter of 2".

### INSULATING BARRIERS

Three-pole insulating barriers are supplied for two and three-pole equipment. Seven-pole barriers are supplied for five, six and seven-pole equipment. For five-pole plugs and receptacles, two contacts are omitted; for six-pole use, one contact is omitted.

## REPLACEMENT PARTS

## CONTACTS

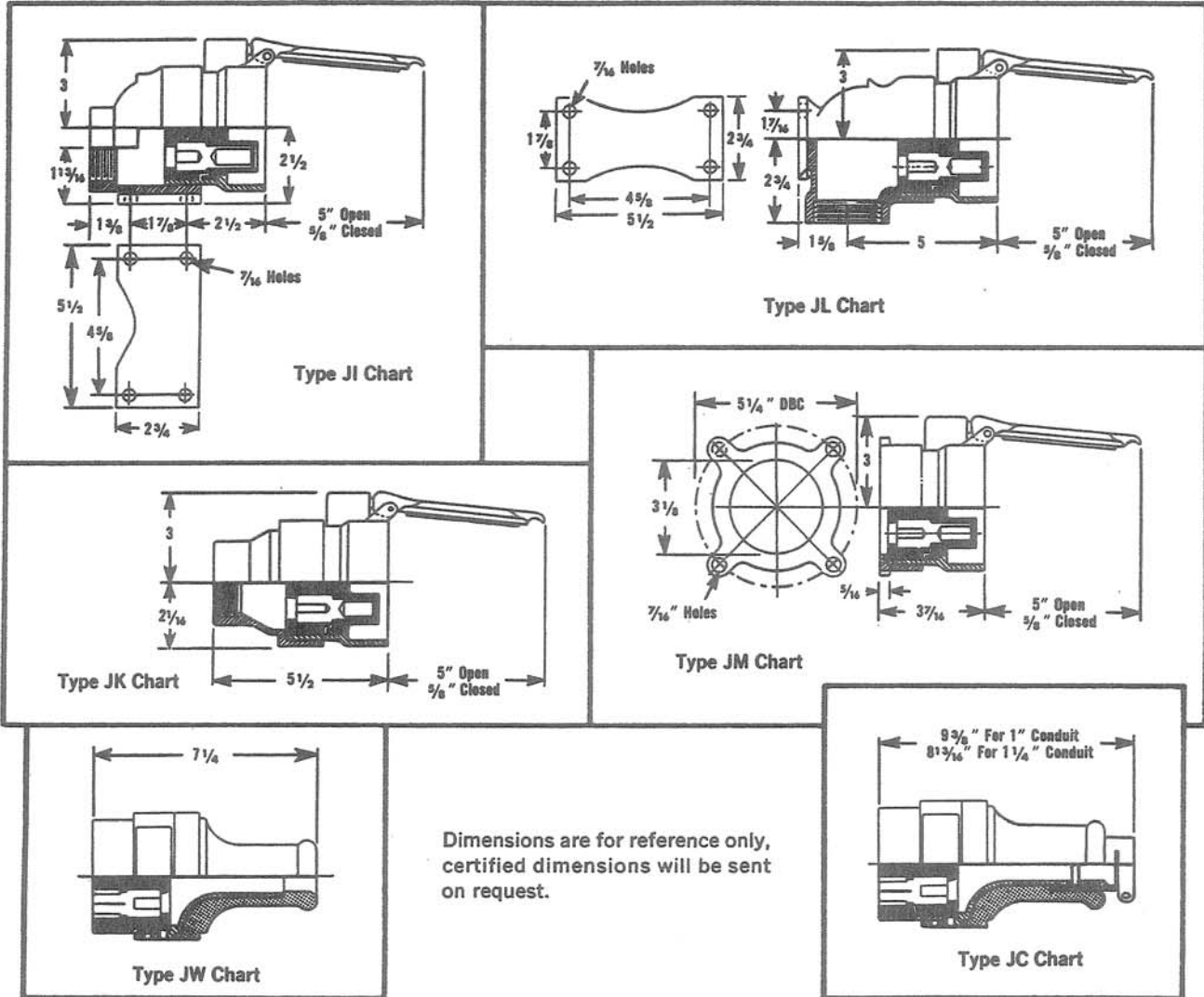
FOR	AMP. RATING	CAT. NO.
2, 3 and 4-pole plugs	100	2223 C
2, 3 and 4-pole receptacles	100	2224 C
5, 6 and 7-pole plugs	60	20737
5, 6 and 7-pole receptacles	60	20736

## INSULATING BARRIERS

NO. OF POLES	FOR	CAT. NO.
2 and 3-pole	Back of plug	2288
	Front of plug	
2 and 3-pole	Back of receptacle	2288
	Front of receptacle	
4-pole or 3-pole polarized	Back of plug	10766
	Front of plug	
4-pole or 3-pole polarized	Back of receptacle	10766
	Front of receptacle	
5, 6 and 7-pole	Back of plug	20734
	Front of plug	
5, 6 and 7-pole	Back of receptacle	20734
	Front of receptacle	

\*Refer to paragraph on Insulating Barriers.

## DIMENSIONS



Dimensions are for reference only, certified dimensions will be sent on request.

## ORDERING DIRECTIONS

When ordering plugs and/or receptacles please include the following information:

1. Catalog number.
2. Type letters of plug and/or receptacle.
3. Number of poles.
4. Current rating.
5. Specify if three-pole plug and/or receptacle is to be polarized.
6. Specify conduit size if "JI", "JK" or "JL" receptacles are to be used with other than 2" conduit.
7. When ordering "JC" plugs specify flexible conduit connector size. (See page 2.)
8. If "JC" plugs with special handles for flexible conduit larger than 1 1/4" are desired specify conduit size.



**TYPE "JI"  
RECEPTACLE**  
With Conduit Entrance  
and Wall Bracket



**TYPE "JK"  
RECEPTACLE**  
With Conduit Entrance  
Without Wall Bracket



**TYPE "JL"  
RECEPTACLE**  
With Angle Wall  
Bracket and 90°  
Conduit Entrance

Poles	Amps.	†Conduit Size S.P.S.	Catalog Number	†Conduit Size S.P.S.	Catalog Number	†Conduit Size S.P.S.	Catalog Number
2	100	2"	2355	2"	2343	2"	2340
3	100	2"	2353	2"	2347	2"	2346
4	100	2"	2345	2"	2342	2"	2339
5	60	2"	2357	2"	2358	2"	2359
6	60	2"	2363	2"	2364	2"	2365
7	60	2"	2369	2"	2370	2"	2371

†Refer to Conduit Tap page 2.



**TYPE "JM"  
RECEPTACLE**  
Flat Surface or  
Box Mounting Without  
Conduit Entrance  
Bolts against flat  
surface.  
Conductors  
enter through  
hole in base.



**TYPE "JC"  
PLUG**  
With Clamp Type  
Connector for Flexible  
Metallic Conduit



**TYPE "JW"  
PLUG**  
With Insulated  
Handle For Cable

Poles	Amps	Catalog Number	Cable O.D.				
			††1" Connector Cat. No.	††1¼" Connector Cat. No.	1 inch Cat. No.	1½ inch Cat. No.	2 inch Cat. No.
2	100	2375	2338	2328	2356	2381	2391
3	100	2376	2348	2329	2354	2382	2392
4	100	2377	2337	2330	2344	2383	2393
5	60	2378	2362	2331	2360	2384	2394
6	60	2379	2368	2332	2366	2385	2395
7	60	2380	2374	2333	2372	2386	2396

††Refer to Maximum Size Cables page 2.

